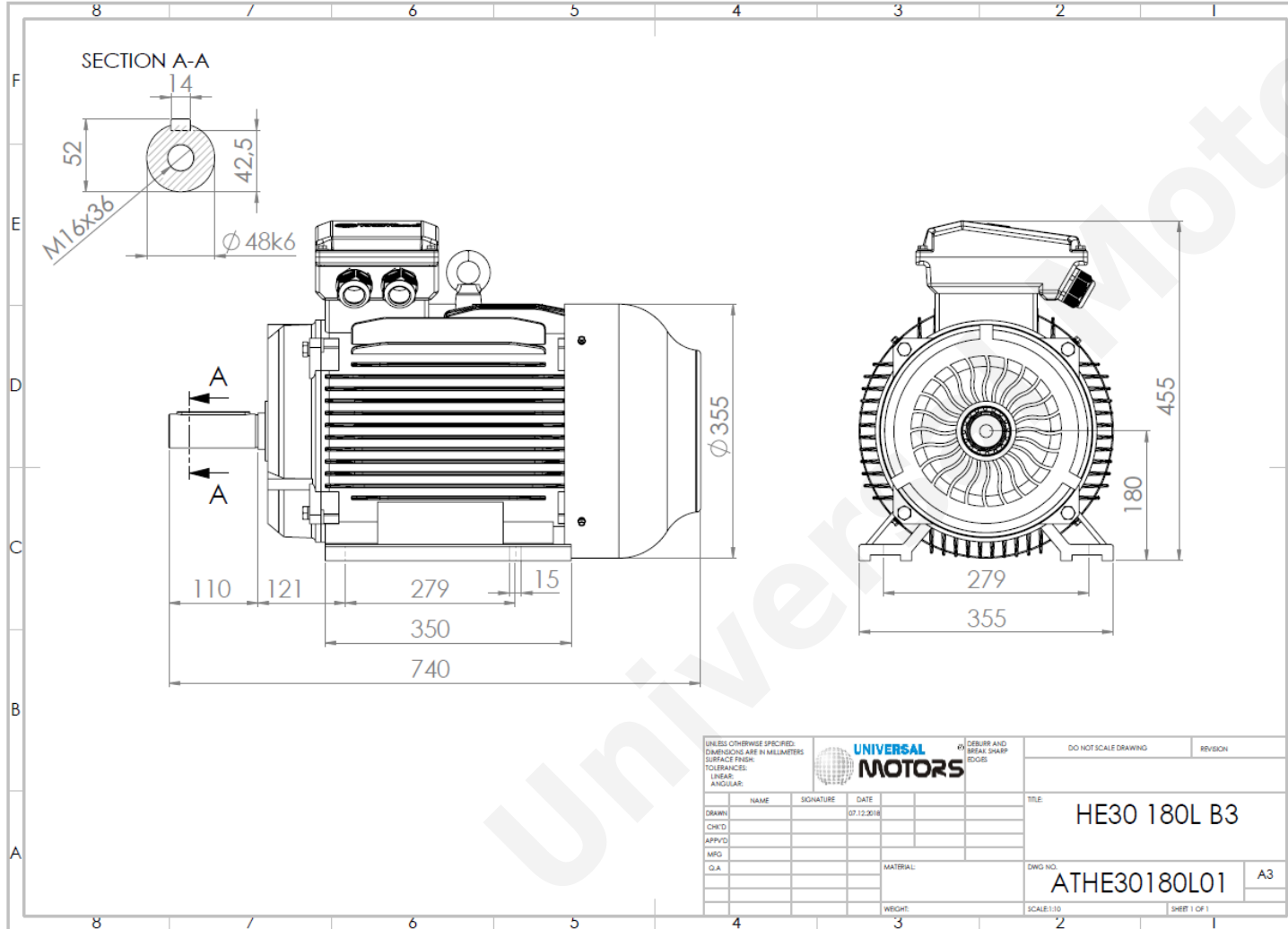




# TECHNICAL DATA

Three Phase Electric Motors - Cast Iron Frame  
 HE30 180 L1 4 IE2  
 22 kW / 30 Cv  
 1470 RPM



Motor type:	<b>HE30 180 L1 4 IE2</b>
Output:	<b>22 kW / 30 Cv</b>
Speed (min <sup>-1</sup> ):	<b>1470 RPM</b>
Frequency:	<b>50 Hz</b>
Voltage:	<b>400 V</b>
Current:	<b>40.3 A</b>
Power factor (Cos Ø):	<b>0.86</b>
Poles:	<b>4</b>
Insulation class:	<b>F</b>
Temperature rise Class:	<b>B</b>
Efficiency 50%:	<b>91.5 %</b>
Efficiency 75%:	<b>92.1 %</b>
Efficiency 100%:	<b>91.6 %</b>
Torque:	<b>143 N.m</b>
Tstarting/Tnominal:	<b>2.2</b>
Istarting/Inominal:	<b>8.2</b>
Tmaximum/Tnominal:	<b>2.3</b>
Noise:	<b>65 Db(A)</b>
Weight:	<b>214 Kg</b>
Bearing DE:	<b>6311 C3</b>
Bearing NDE:	<b>6311 C3</b>

UNLESS OTHERWISE SPECIFIED: DIMENSIONS ARE IN MILLIMETERS SURFACE FINISH: TOLERANCES: LINEAR: ANGULAR:			UNIVERSAL MOTORS		DEBURR AND BREAK SHARP EDGES	DO NOT SCALE DRAWING	REVISION
NAME	SIGNATURE	DATE	TITLE:		HE30 180L B3		
DRAWN		07.12.2016	Dwg No.		ATHE30180L01		
CHK'D			MATERIAL:		A3		
APP'VD			WEIGHT:		SCALE: 1:10		
MFG					SHEET 1 OF 1		
Q.A.							

Regime - S1

Altitude - 1000m

Environment Temperature - 40°C

## CONTACTS:

UNIVERSAL MOTORS Tel: +351 252 299 080  
 Rua de São Brás,745 Fax: +351 252 299 089  
 4480-782 VILA DO CONDE Mail: [geral@universalmotors.pt](mailto:geral@universalmotors.pt)

\* References applied only in the UK